

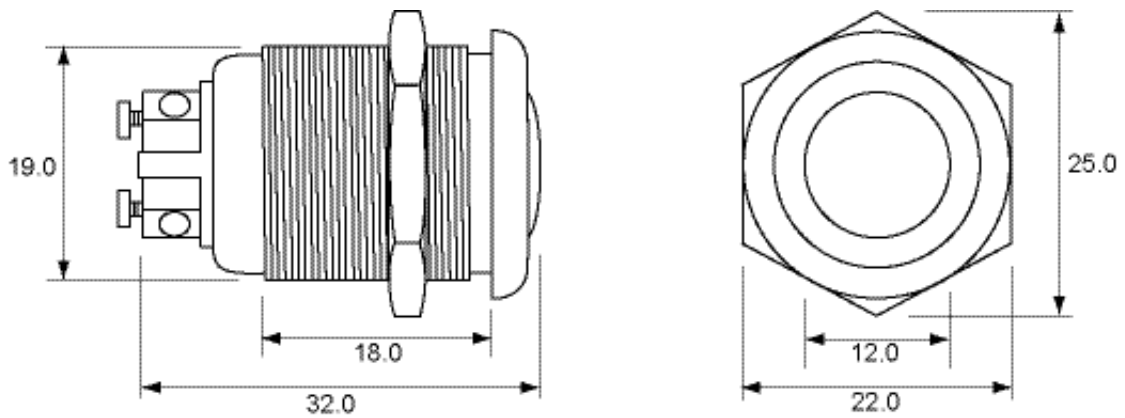
Technical Information Sheet

Part No. 0-485-03

Push button switch, stainless steel push button and nickel plated brass body, momentary on / off, rated at 16 amps for 5 sec. Requires a 19mm fixing hole.



Technical Drawing (not to scale)



Specification

Type	Momentary push button switch
DC rating @ 12vdc	Continuous 6 amps Intermittent 16 amps for 5 seconds
Push button	Stainless steel
Switch body	Nickel plated brass
Fixing hole	19mm
Panel depth	minimum 2.0mm maximum 15.0mm
Weight	30g

The information contained in this document is correct to the best of our knowledge at the time of printing. However, specifications may change at any time without notice.